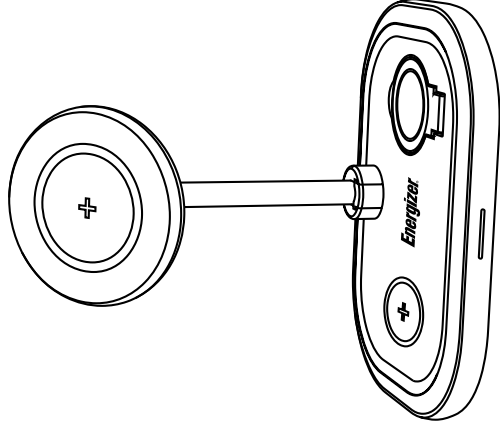


# Energizer® WCP303



**EN**

## Specification:

Model Name : WCP303  
Rated Input : USB-C 5V/3A,9V/3A, 12V/3A  
Mobile Phone output : 15W/10W/7.5W/5W  
Earbuds Output : 5W(Max.)  
Watch Output : 5W(Max.)  
Dimensions : 130(L)x92(W)x130(H) mm  
Weight : 124g±10g

**FR**

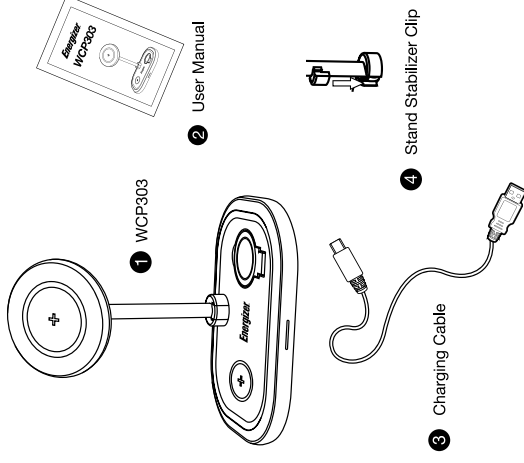
## Spécifications:

Modèle : WCP303  
Entrée : USB-C 5V/3A,9V/3A, 12V/3A  
Sortie téléphone portable : 15W/10W/7.5W/5W  
Sortie des écouteurs: 5W(Max.)  
Regarder la sortie : 5W(Max.)  
Dimensions : 130(L)x92(W)x130(H) mm  
Poids : 124g±10g

## Package Content

3-in-1 Wireless Charging Stand  
USB-C Cable  
2 Stand Stabilizer Clips  
User Manual

## Package Contents



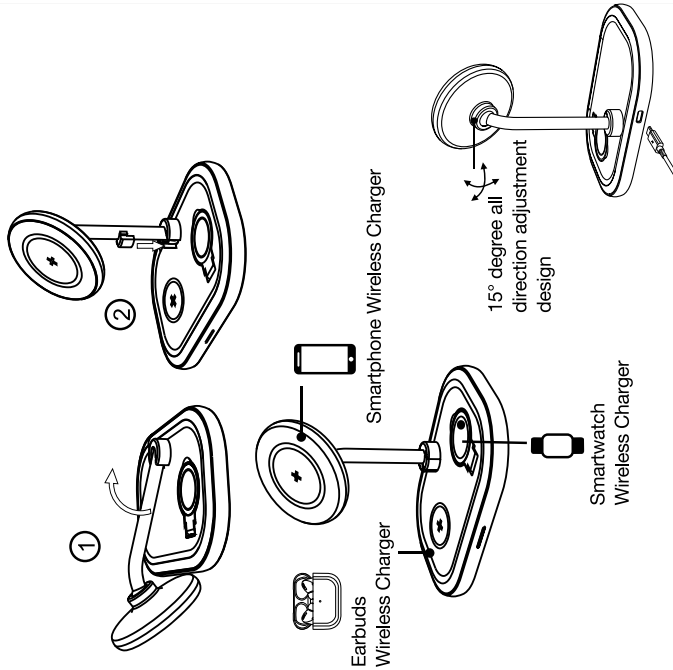
### PowerSafe Management

Guarantees against short circuit and over-charging for your power bank and devices.



**Customer Service**  
For any question about the product, please contact us at [service@energizerpowerbanks.com](mailto:service@energizerpowerbanks.com)

©2023 Energizer, Energizer, Energizer Character and certain graphic designs are trademarks of Energizer Brands, LLC and related subsidiaries and are used under license by TernRiCh International Corp..



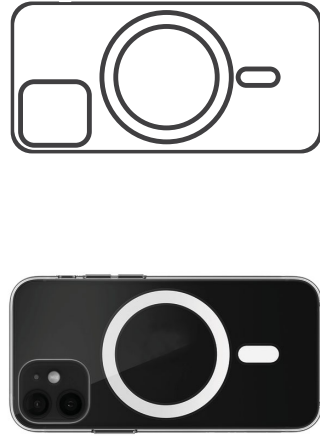
### LED Light Indicator

- Green light: Charging (earbuds)
- Blue Light: Fully Charged (smartphone)
- Flashing green light: Foreign object detection in earbuds area, please remove the object before charging the devices
- Flashing purple light: Foreign object detection in smartphone charging pad

### How to USE

1. Move the stand to upright position.
2. Install the stand stabilizer clip on the bottom.
3. Connect the charging stand with a USB-C charging cable and power adapter, then connect the adapter to a power outlet.
4. Place your smartphone onto the charging area horizontally or vertically, it will magnetically attach to your device and begin charging.
5. Place your earbuds and smartwatch on the charging pads to begin charging.

\* Please use compatible device, cable, and adapter up to 15W for fast charge.



### How to Pick the Right Case

Please use compatible magnetic case for optimal results.

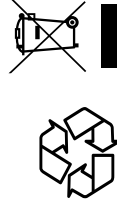
iPhone 11/X/8/SE series can charge wirelessly with a magnetic case that's compatible with the charging stand.

### Safety Instructions

- Avoid water, heat, fire, penetration of the product, and severe drops at all times.
- Do not insert other object to the USB ports other than the USB connectors.
- During charging, your device and the product may feel slightly warm, this is normal.
- Do not clean the product with water or other cleaning products, clean the exterior with a lightly wetted cloth or napkin.
- Any intentional and physical damage to the product will not be under the warranty conditions.
- Do not place any metal or flammable object on top of this product.
- This product is not suitable for extreme climates, please store and use this product properly.

### WARRANTY

All products from the date of purchase are qualified for limited time warranty. For more warranty information, please visit: <http://www.energizerpowerbanks.com>



Dispose the battery properly, seek for local disposal facility for advice. Do not dispose, disassemble, damage, or incinerate the battery at all time.